

Thank you for purchasing an "Outdoor Revolution" product, this product will give years of satisfactory service if basic instructions are followed; our products are designed for durability and for ease of erection.



WWW.OUTDOOR-REVOLUTION.COM

UNIT 1 BRICK PARK
BRETFIELD COURT
BRETTON STREET INDUSTRIAL ESTATE
DEWSBURY
WEST YORKSHIRE
WF12 9BY



ESPRIT 420 PRO RVS

INSTRUCTIONS & CARE MANUAL



IMPORTANT: PLEASE CHECK YOUR EQUIPMENT

1 X PRO 800HD FLYSHEET (OR OUTER)

1 X SINGLE INFLATION POINT AIR-FRAME

1 X BAG OF PEGS

1 X DUAL ACTION HAND PUMP

1 X REPAIR KIT

1 X HOLDALL

1 X DRAUGHT SKIRT

1 X WEBBING GUYING SYSTEM

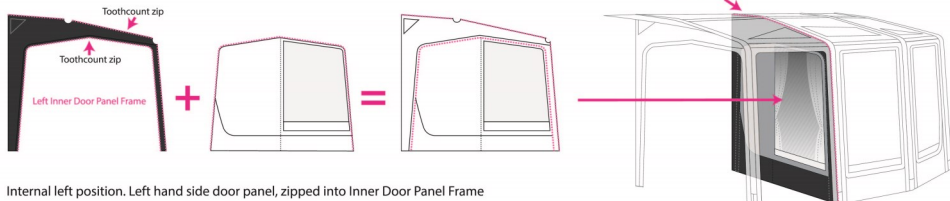
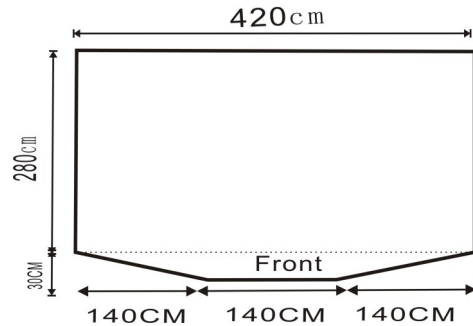
1 X RVS SYSTEM

ENDURANCE STORM STRAPS

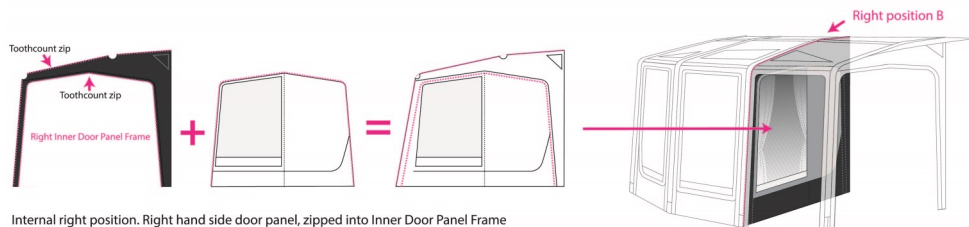
LUMI-LITE & LUMI-LINK ATTACHMENT POINTS

ESPRIT 420 PRO RVS

Front Height: 180CM



Internal left position. Left hand side door panel, zipped into Inner Door Panel Frame



Internal right position. Right hand side door panel, zipped into Inner Door Panel Frame

We highly recommend that you insure your awning against storm damage or accidental damage, as the warranty does not cover such eventualities. The manufacturer **IS NOT** liable for any damage caused to the awning or its contents due to misuse, incorrect pitching or extreme weather (full warranty details on rear of booklet).

THE GUARANTEE (CONTINUED)...

registered in accordance with the manufacturer's registration process.

OR reserves the right to appoint its own representative to inspect the awning/tent, tube or associated components, prior to any repair or replacement of part(s) covered.

Replacement INTELLIGENT FRAMES under the lifetime guarantee will be despatched to any UK mainland address free of Charge. Shipping charges covering the cost to despatch the INTELLIGENT FRAMES to destinations outside of the UK mainland will be applied and payable before being despatched. (**Please note this service may take over 3 days).

Covered components of the Lifetime Warranty

The Lifetime Warranty is valid only for the following components of the awning or tent::

The air tube containing the IF (Intelligent Frame) only

Maintenance repairs and general wear and tear are not covered by the Lifetime Guarantee.

1.3. Customer duties to retain warranty

Online Registration of product is required to validate the Lifetime Warranty; the warranty automatically ceases on re-sale of the product.

The recommended pressure is of 4PSI; as soon as air is heard releasing from the IF valve, inflation must cease.

The warranty does not cover deliberate defacement, human error, misuse or accidental damage; the Lifetime Warranty is a guarantee against manufacturing flaws, solely of the tube.

1.4. Data protection

The activation and validation of the Lifetime Warranty requires OR to maintain personal data of the owner. Blue Diamond Products Limited and Outdoor Revolution will not pass your data onto any third parties and we will not use your data for any marketing purposes without your consent.

LIFETIME GUARANTEE

This warranty provided by the manufacturer does not adversely affect the statutory rights of the purchaser against the seller and gives remedies in addition to those against the seller under the contract of sale. Claims by the purchaser, in particular for a defect on an Intelligent Frame (IF), against the selling Outdoor Revolution distributor remain unaffected by the warranty.

Outdoor Revolution (hereinafter called "OR"), a subsidiary of Blue Diamond Products Ltd group, and its successors in title, warrants for awnings, or tents using IF technology, of their manufacture:

12 months, without limitation, a warranty against all manufacturing defects of the entire product.

1. LIFETIME WARRANTY OF THE INTELLIGENT FRAME FOR THE FIRST REGISTERED OWNER

1.1. Duration of Warranty

OR undertakes that each new awning/tent supplied thereon by OR as original equipment will be free from defect in material or workmanship according to the state of the art under normal use and service for the Lifetime of the awning/tent. The warranty is valid for the first registered owner of the awning/tent, who bought the product at an OR Authorised Retailer.

The warranty starts on the date of first registration, THIS MUST BE WITHIN 14 DAYS OF PURCHASE.

1.2. Coverage of the Lifetime Warranty

The warranty applies to free of charge repair, or replacement of the IF tube by OR i.e. OR's obligations under this warranty being limited to repairing or replacing at its option any parts or Tube by either OR, or an OR Authorised Repairer. The repair or replacement of defective parts under this undertaking will be made by the Authorised Repairer to whom the awning is returned, free of charge to the customer.

For the parts fitted during a repair, until expiry of the warranty limitation according to Paragraph 1, the same warranty is given as for the awning, tent, frame or associated parts i.e. the warranty is not extended by the repair or replacement of parts even for the parts rectified or replaced. Replaced parts become the property of OR.

Lifetime Warranty cover is dependent upon confirmation that the awning/tent has been

IMPORTANT INFORMATION

- ◆ Please do not leave for your holiday without fully erecting and checking you have all the contents for your awning; if you're missing anything, please contact your retailer immediately before use.
- ◆ Please also note that man-made fabrics are prone to condensation when the warm air and moisture inside the awning comes into contact with the colder air on the outside of the awning fabric. This is a perfectly natural occurrence and should not be confused with leaking. Ensure all ventilation points are open whenever possible to help combat condensation.
- ◆ Ideally, erect your awning for some period before use - allowing it to weather. 'Weathering' can take a few uses of the awning before it becomes fully effective. Seam sealant can be used to solve any persistent weeps; this process is completely normal. 'Weathering' is the process of allowing your canvas product get wet, then dry approximately two to three times in order to strengthen and further waterproof the seams and stitching on the fabric.
- ◆ Make sure that before erecting, you site the awning on clear level ground, with no sharp objects underneath and zips fully closed. (We recommend laying a groundsheet down to keep the awning dry and clean).
- ◆ We suggest conducting a trial run of your awning to familiarise yourself with the set up and use of the awning. If you have any issues relating to pitching your awning, please contact your dealer for assistance before going on holiday.
- ◆ Please note this awning is designed for 'touring' and not for permanent pitch.
- ◆ After use, always dry and air the awning before packing away to prevent mildew or mould.
- ◆ Any dirt or stains can be removed by brushing or gently washing with warm water. DO NOT use detergents, as this will destroy the waterproofing on the fabrics.
- ◆ DO NOT cook or smoke in this awning; although the outer fabric is flame retardant treated, it will still melt.
- ◆ In the event of damage; please contact your retailer. If for whatever reason you are unable to contact them, please email: cs@blue-diamond-products.co.uk and our customer service team will be happy to help!
- ◆ Please avoid using this awning in temperatures below freezing, as this can result in cracking of the air-frame.
- ◆ DO NOT use bleach to clean your awning under any circumstances.

OPTIONAL ACCESSORIES

- ◆ Treadlite 420—A breathable, cut to size, machine washable carpet for your awnings' living area.
- ◆ RVS Pro Conservatory Annexe - An air-framed annexe that can be zipped onto either side of the awning, offering a sleeping /storage area for up to two adults; even incorporating windows, curtains and convenient access doors.
- ◆ Air Pod Inner Tent—A free-standing two-berth inner-tent, complete with a single inflation point cross-beam air frame.
- ◆ Two-Berth Inner Tent—A micro-polyester inner tent, designed to comfortably sleep two adults.
- ◆ Rear Pad Poles—To ensure a snug fit of your awning to the caravan.
- ◆ Lumi-Link Tube Light Kit—An excellent triple LED 12V roof light accessory, utilising six brightness settings, remote dimmers and three power options.
- ◆ Awning Storage Hanger - A suspendable row of spacious linear mesh pockets and clothes hangers for conveniently storing items needed close to hand.
- ◆ RVS Partition Panel (RH) - A zip-in divider door panel for the furthest right hand panel, to separate sleeping/living/storage space.
- ◆ RVS Partition Panel (LH) - A zip-in divider door panel for the furthest left hand panel, to separate sleeping/living/storage space.
- ◆ RVS Front Mesh Panels - To keep insects at bay and optimise air circulation within the awning.
- ◆ RVS Side Mesh Door - To keep insects at bay and optimise airflow in the awning.

⇒ Visit www.outdoor-revolution.com for more information.

LIFETIME GUARANTEE

The air-frame incorporates an exclusive “**LIFETIME GUARANTEE**”.

You must register for the “**LIFETIME GUARANTEE**” on the ‘Outdoor Revolution’ website **within 14 days** to validate it.

Terms and Conditions* apply - find the full terms and conditions on our website!

- Damage caused by incorrect maintenance of the product.
- Flaws in the fabric caused by excessive use.
- Imperfections and pulls in mesh doors due to wear and tear.
- Water ingress through fabric as a result of accelerated UV degradation due to long term pitch .
- Water ingress through seams caused by excessive abrasion of seams or taped seam.
- Broken zips caused by over tensioning, forcing or snagging.
- Over tensioned/stretched seams coming apart.
- Buckles subjected to undue force or abrasion.
- Lost/popped out eyelets.
- Broken holdalls.
- Pole breakages or tube punctures (where applicable).
- Collateral damage from a pole breakage.
- Condensation, (a natural occurrence, exacerbated by insufficient ventilation opening).
- Consequential damage/loss to property/belongings (either inside or outside of the product) or shortening of holidays.

Outdoor Revolution work very closely with our retail partners to manage all warranty repairs/issues:

Please contact your retailer immediately (even if purchased online) if you feel your Outdoor Revolution product has a genuine warranty issue. The retailer, in turn will raise the issue with ourselves and we will action; with the retailer, according to the nature of the claim.

Returning Products

Please ensure the product is clean and dry and as close to its original condition as possible before sending back for checking. Wet or dirty products will not be accepted back for checking/warranty claims.

It is important to note that the Sales Contract between yourself and the retailer you purchased the Outdoor Revolution product from, remains valid throughout any warranty claim and your statutory rights are not affected.

OUTDOOR REVOLUTION GUARANTEE

Outdoor Revolution products are designed and produced to the highest manufacturing standards. The best quality fabrics and components available are used for each specific item and rigorous checking of finished products is in place.

All finished products are:-

- Checked for and are free of minor defects
- Are fit for the purpose/use that they are intended
- Are of a satisfactory quality

It is important that correct care is taken when opening the product, erecting, using and just as importantly, packing away the product. Following these rules will keep your product in reliable working condition for many years. Failure to adhere to these simple guideline may cause unnecessary damage to the product (see formal instructions for hints and tips on handling/erecting the product). A repair kit is included in the product to help resolve any minor issues.

THE WARRANTY

The Outdoor Revolution Warranty lasts for 12 months from the original date of purchase (please keep all receipts or copies of any relevant transaction to substantiate the purchase date). The warranty only covers workmanship and fabric/components. Any faults found within 6 months of purchase will be investigated by Outdoor Revolution. Faults found outside of the initial six months of purchase will need to be proven by you the purchaser, in line with current consumer legislation after the short term right to reject has ended.

Retailer will not refund a purchase if no fault is found.

The manufactures warranty does not cover the following:-

- General wear and tear over extended periods of use or, seasonal pitching of the product.
- Accelerated UV damage caused by excessive, long term sun exposure.
- Accidental damage caused by but not exclusive to, human, animal or weather.

PLEASE READ THE INSTRUCTIONS CAREFULLY

TIP: Refer to these photographs to assist when pitching your 'Esprit 420 Pro RVS'.

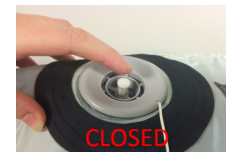
1. Spread the flysheet out on the ground next to your caravan, with the cowl side laying parallel to your vehicle.



2. Take the awning piping and slide it through the caravan awning channel, until the awning is in the desired position on the vehicle; we recommend someone else holding the flysheet up whilst you do this.



3. Peg down the rear pads at the back of the awning against the caravan, using the adjustable pegging points. Use the strap along the floor on the inside to ensure the sides are in the correct position when doing this.

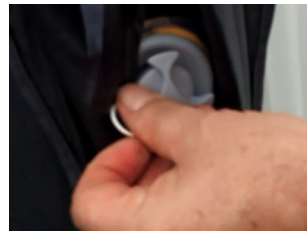


4. Locate the 'Dynamic Speed Valve' and ensure the valve is **closed**, before attaching the pump (the valve is closed when the button is pressed out).

5. Next, attach the pump to the 'Dynamic Speed Valve' and begin to carefully inflate, taking care that the fabric is not caught anywhere.



6. Inflate the air-frame until you can give it a good squeeze; the frame needs to have room inside for air to expand. Don't worry if you do keep inflating - the 'Intelligent Frame Relief Valve' will release any excess air above 5.5PSI. We suggest someone holds up the awning from the inside whilst someone is inflating, to avoid bowing or twisting of the tubes.



7. Replace the cap on the 'Dynamic Speed Valve' and cover the valves with the flap to prevent water getting inside.



8. Peg out and tension the front of the awning; use the adjustable pegging straps to tension the awning as you desire. Again, using the strap along the floor (on the inside) to ensure the tubes are in the correct place; make sure you don't over-tension the fabric. If a door zip is too tight, release some tension before closing - never force the zip.

9. Peg out all remaining pegging points, starting from the corner against the vehicle and working your way around the awning.

TROUBLE SHOOTING

<u>PROBLEM</u>	<u>REASON</u>	<u>SOLUTION</u>
The air-tube keeps deflating after removing the pump.	The 'Dynamic Speed Valve' button hasn't been pressed back out.	Press the quick release button back out to shut the valve.
The awning is leaking.	The awning requires 'weathering' two to three times before it fully seals itself, so you may experience a little bit of weeping. This could also be condensation; an inevitable occurrence.	Allow the awning to get wet, then dry, two to three times. Open all vents to increase air-flow and reduce condensation.
Bowing and twisting of the tubes.	The tubes can twist inside the sleeves, particularly when packing away so next time the tube bows...	Un-zip the sleeve whilst the tube is deflated and re-position the tube.

IN THE EVENT OF A PUNCTURE

If you have a small puncture in your 'Oxygen Air Frame Tube', you can easily repair it using the 'Standard Puncture Repair Kit'.

- ◆ To remove the 'Air Frame Tube' - deflate the tube and then un-zip the two protective sleeves over the tube and pull the air-tube itself out. Do not unzip the sleeves whilst the tube is inflated.
- ◆ Locate and repair the puncture on the 'Air-Frame Bladder'.
- ◆ Place the air-tube back into the sleeves, in the correct place, with the valves in the 'valve hole'. Make sure the tube is straight and not twisted.
- ◆ Zip the two sleeves back up fully.
- ◆ Inflate the air frame tube again, ensuring that the puncture has now been repaired.
- ◆ If this process doesn't work; you may have to buy a new bladder!

****Spare air-frame bladders can be purchased to replace damaged ones. Visit the spares section at: www.outdoor-revolution.com, or contact us on 01924 455313****

****Awnings will not be replaced because of damaged bladders****

PACKING AWAY YOUR AWNING

- ◆ Remove any annexes and replace the door panel. Zip-up all windows and doors before deflating.
- ◆ Unpeg the guylines, storm straps and most of the pegs around the awning, leaving the four corners pegged out.
- ◆ Open each of the 'Dynamic Speed Valves' in turn and press in the quick-release button. Leave the button pressed in.
- ◆ Unpeg the four corners and pull the awning out of the awning channel.



Using the storm strap handles on the corner of the awning; lay the awning flat on the floor, with the roof folded onto the front of the awning. Push as much air out of the tube as possible.

Fold the side panels of the awning in on itself to make the awning rectangular and easier to fold up.



Next, fold the awning in on itself to make a long, thin sausage shape. Measure the width of the awning sausage against the bag to make sure it will fit into the bag. Start rolling the awning and squishing the air out as you roll.

Roll the now rolled awning onto the bag and pull the sides up around it. Finally, zip-up the bag.



10. Next, peg out all webbing straps for extra stability. Please make sure that in harsher weather, you use all of the webbing straps provided to hold the awning securely in place. In very windy conditions, we recommend dropping your awning altogether.

11. Next, thread the 'Draught Skirt' through the lower awning channel and secure it at either side using 'Groundsheet Pegs'.



12. Finally, the triangular pieces can either be pegged onto the inside, to overlap the draught skirt, or on the outside—whichever you prefer!

WARNING: Never un-zip the zips on the protective sleeves whilst the air-frame tubes are inflated; this will result in the tube bursting/ballooning out of the sleeve, causing damage to the tube and the sleeve. This is NOT covered under the warranty!