

**OUTDOOR
REVOLUTION** 
WWW.OUTDOOR-REVOLUTION.COM

CAMPING BUNK BED

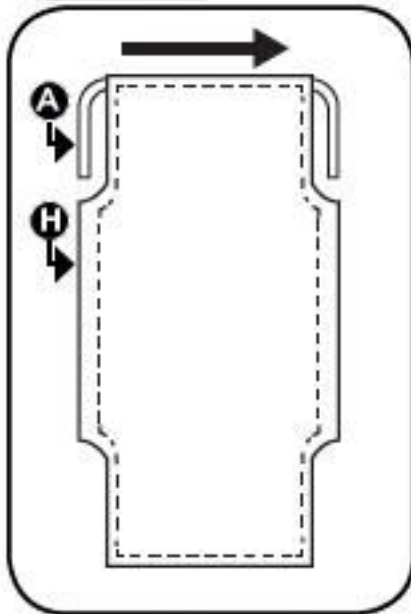
PRODUCT CODE - FUR2030



**PLEASE READ & SAVE THIS INSTRUCTION MANUAL TO ENSURE
CORRECT ASSEMBLY, USEAGE & CORRECT PRODUCT CARE**

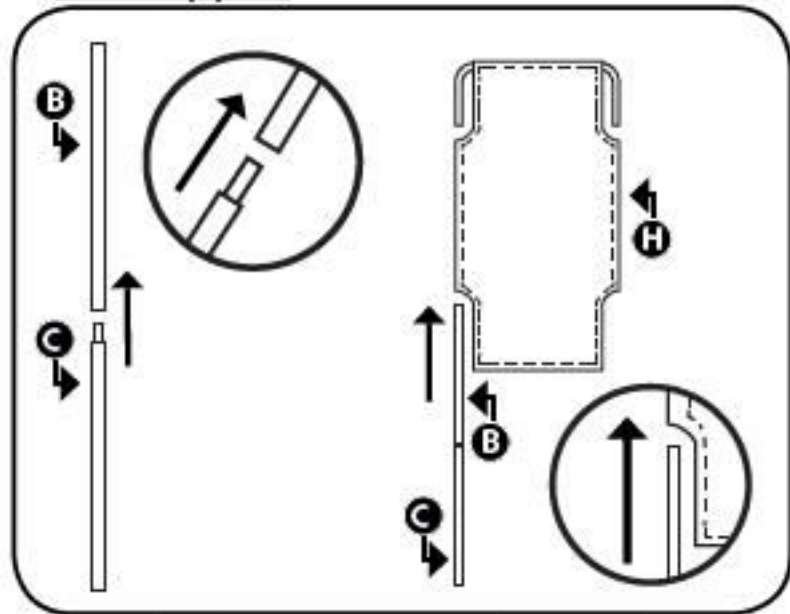
www.outdoor-revolution.com

1. Foot end



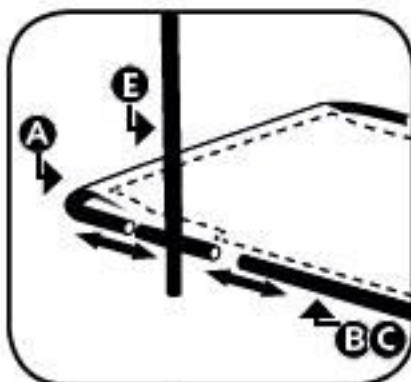
Insert the footend pole (A) through the bedcover (H). Ensure this has the support pole.

2. Side Support

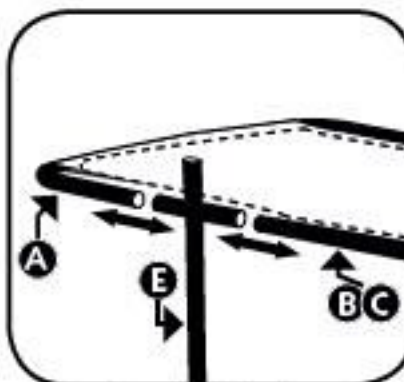


Insert the side supporting poles (B and C) into one another then thread the combined poles through the bed sheet. Repeat for both sides.

3. Connecting The Cross Poles

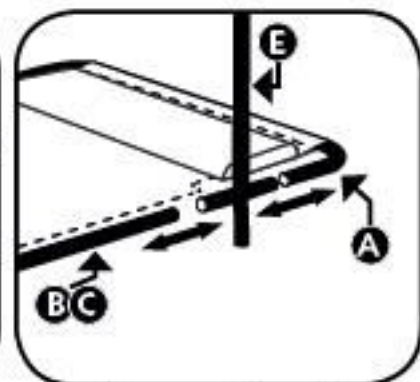


Insert the connecting cross pole (E) into the footend pole (A).

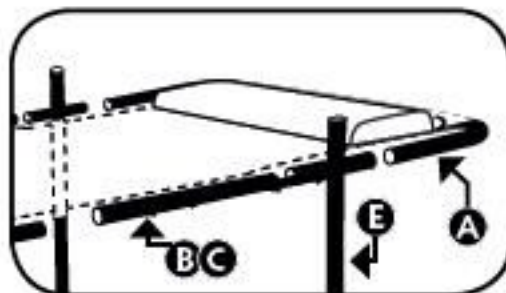


Repeat for the top bunk

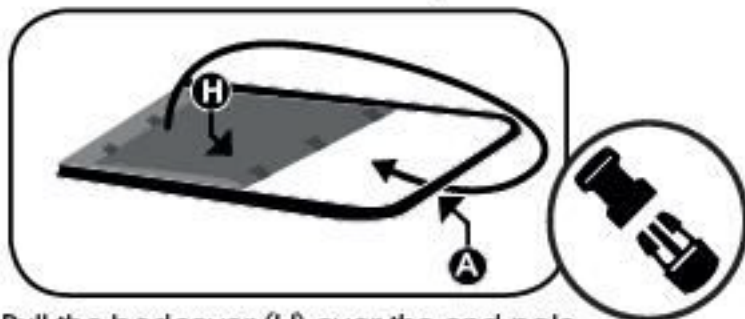
4. Head End



Join the combined B + C poles to the cross pole (E) and then the head end pole (A) too.

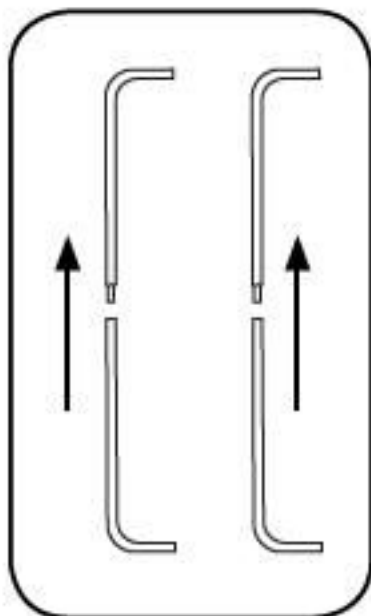


Repeat for the top bunk.

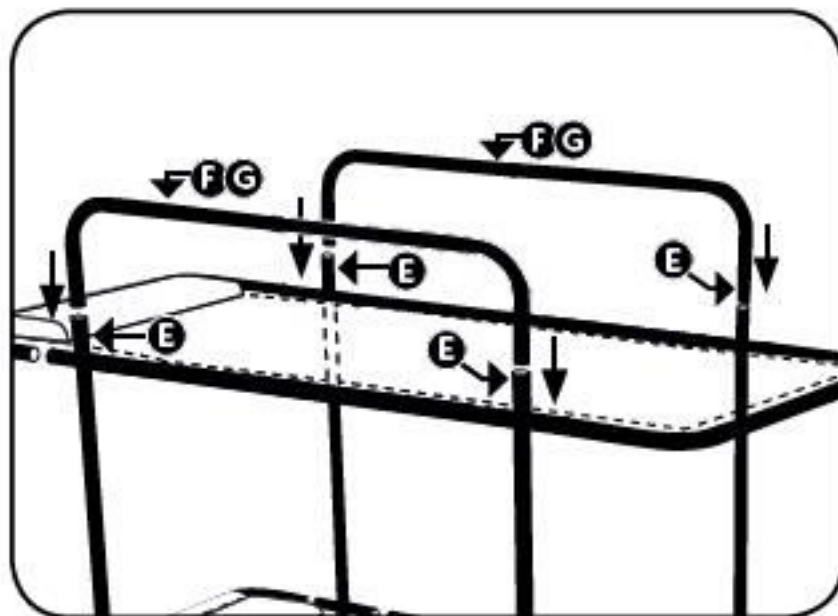


Pull the bedcover (H) over the end pole (A), clip in the buckles and tighten.

5. Safety Rails

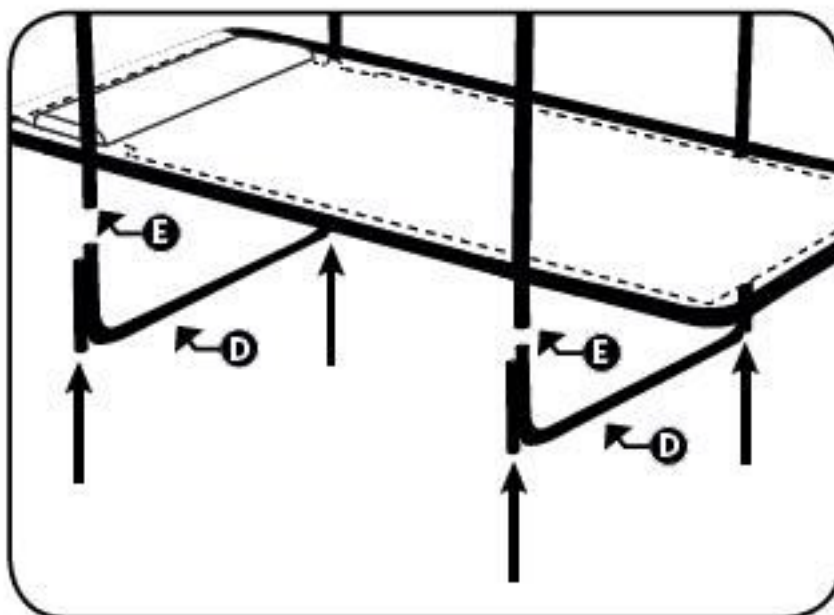


Slide each half (F + G) of the safety rails into each other and repeat for the second set.



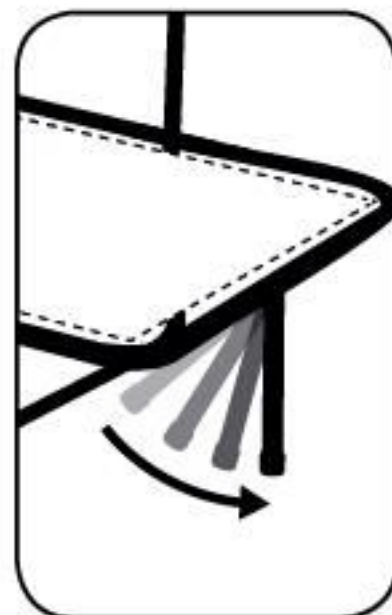
Place the safety rail ends (F + G) onto the cross poles (E).

5. Feet



Insert the feet poles (D) into the bottom of the cross poles (E)

5. Stability Support



Before use, please fold down the stability support pole which is attached to one of the A poles.

CORRECT USE INFORMATION & ADVICE

CONGRATULATIONS IN YOUR EXCELLENT PURCHASE OF THIS OUTDOOR REVOLUTION CAMPING BUNK BED.

FOLLOWING THE ASSEMBLY INSTRUCTIONS & CARE ADVICE WITHIN THIS MANUAL WILL HELP TO GIVE YEARS OF SERVICE FROM THIS PRODUCT FOR YOUR ENJOYMENT.

USING

Be sure to follow the correct assembly instructions as detailed in this manual.

CLEANING

Clean with a damp cloth and mild detergent.

STORAGE

Always store in a dry area in its own carry bag for protection.

Do not place any heavy items on top during storage.

WARNING!

Max loading: 120kg per bed

Exceeding 120kgs (per bedt) may cause damage to the bed and /or personal injury.

Do not use until the stability support legs on each end are fully opened.

USE WITH CARE!

Should you have any concerns or issues regarding the operation of this product, please contact:

Outdoor Revolution Customer Service helpline:

TEL +44 (0) 1924 455313 or email: cs@blue-diamond-products.co.uk



**A TRUSTED
BRITISH BRAND**

**OUTDOOR
REVOLUTION** The logo graphic consists of a stylized swoosh that curves from the bottom right towards the top right, ending in a small bird-like icon. The brand name 'OUTDOOR REVOLUTION' is written in a bold, sans-serif font across the top of the swoosh.
WWW.OUTDOOR-REVOLUTION.COM

Outdoor Revolution

**Unit 1 Brick Park, Bretfield Court, Bretton Street Industrial Estate, Dewsbury, WF12 9BY
T: +44 (0) 1924 455313**

MADE IN CHINA